

COBOTKIT

For LightWELD Series

APPLICATIONS:

- Metal fabrication shops
- Auto body applications
- Maintenance and repair
- Construction and piping
- Farm, furniture & appliances
- Aerospace & transportation

INCLUDES:

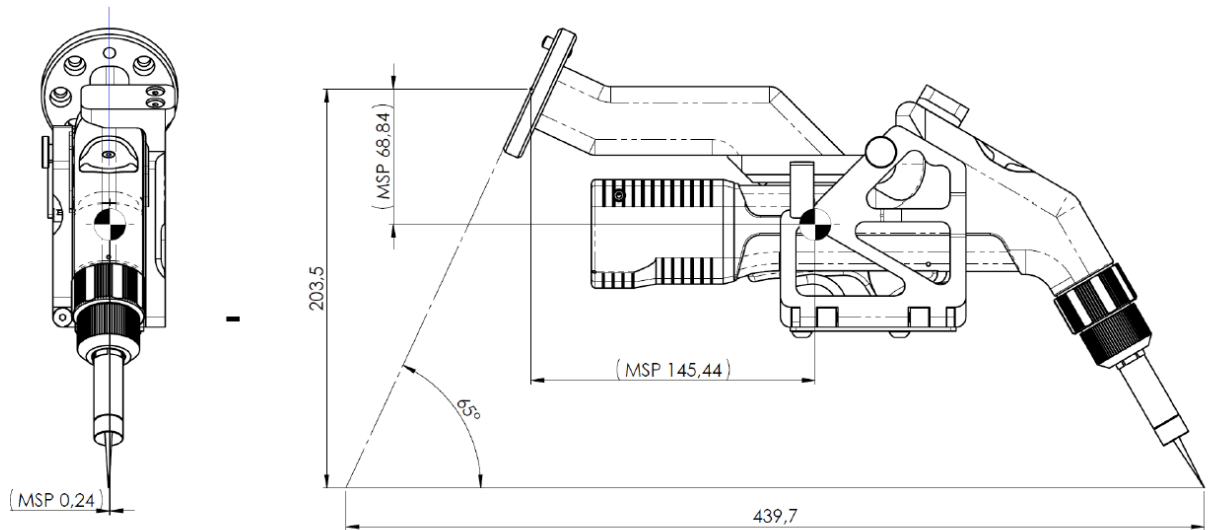
- Cobot connection cable
- Cobot gun holder
- Automation software update Cobot for LightWELD
- Control of the programs via TCP/IP
- User guide



The **Cobot Integration Kit** allows seamless operation of the LightWELD device with a customer-installed cobot. The kit includes two key components: a weld head holder that attaches to the cobot, and an adapter cable enabling the LightWELD to function within a cobot application. It also includes the appropriate software update for LightWELD.

COBOTKIT GUN HOLDER

Technical Drawing



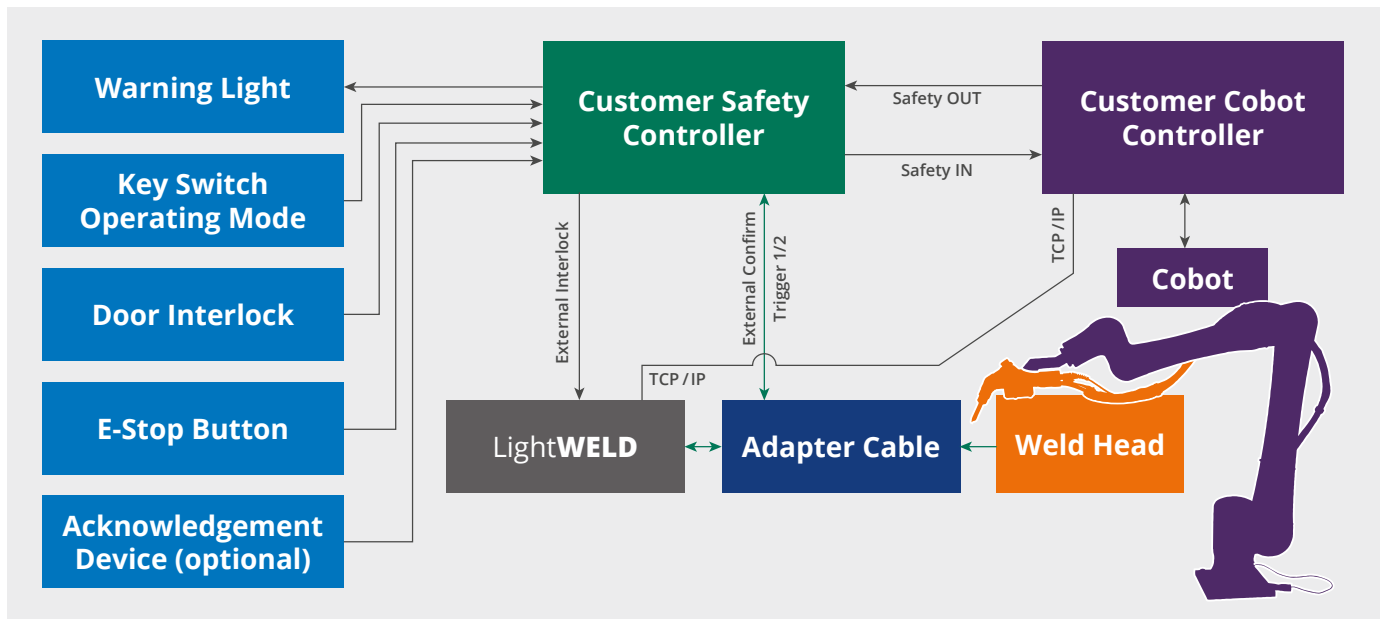
CobotKit Gun Holder



COBOTKIT

Operating principle

Example of the implementation of a cobot application using the LightWELD Cobot Integration Kit.



ACCESSORIES

Cobot Kit Software Update

Cobot Connection Cable (IP54)



Note: Detailed information can be found in the user manual "Integration Kit for the LightWELD Series"

CONTACT US



+49 2736 4420-8990



IPGL-systemsales.europe@ipgphotonics.com



ipgphotonics.com